

CHI-GASKET

a helping hand
for Rainscreen
Applications



Combat cold bridging in rainscreen applications

CHIGASKET ®
reduces thermal bridging

SIG  **PERFORMANCE
TECHNOLOGY**

Introducing **CHI-GASKET**

... a unique solution to combat cold bridging in rainscreen applications

A holistic approach to through-wall design is known to help improve overall thermal performance, yet cold bridging remains a challenge - especially with fixing points in rainscreen applications.

Responding to the market need to prevent building heat loss and meet ever stringent Part L regulations and envelope fabric improvements in SAP, SIG Performance Technology has developed the CHI-GASKET - a patented (GB2541513) insulated component part which is simply attached to a range of standard bracketry as part of the installation process.

Developed for use with market leading rainscreen support systems, CHI-GASKET can be used with a choice of solutions to support an overall improvement in thermal performance.

By engaging with SIG Performance Technology early in the design phase, the CHI-GASKET can be used to create a slimmer profile through-wall construction while achieving the best possible U-Value.

With the addition of one powerful component in the through-wall build-up, rewards include:

- Cost effective design
- Efficient construction
- Excellent performance

Market leading manufacturer partnerships

CHI-GASKET has been developed for use with rainscreen support systems from Ash & Lacy and NVELOPE, to give specifiers flexibility and choice. Working in partnership with these market leading suppliers, SIG Performance Technology can assist specifiers in through-wall rainscreen construction.



The AxiAL range of rainscreen support systems and lightweight framing components has been developed by industry experts to offer a diverse selection of generic framing options that can accommodate a wide spectrum of materials and design requirements.



Nvelope are experienced innovators, delivering pragmatic solutions in façade and rainscreen façade support systems, since the 1980s.

Nvelope simplify the complexity of façade and are able to support almost any genre. Using Nvelope 'Project Builder', an innovative technology platform, allows calculation of bracket configuration, parameters and suitable type.

CHI-GASKET Features

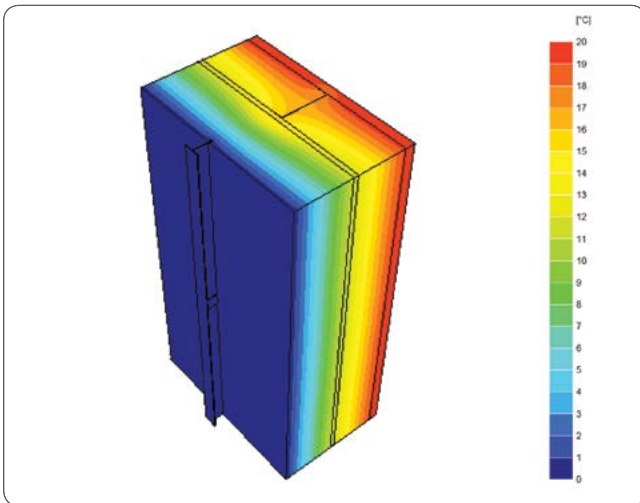
CHI-GASKET has been developed to support the streamlining of external wall footprints whilst helping to maintain or improve thermal performance of the through-wall structure.

- Simply clip or slide CHI-GASKET to standard bracketry on-site as part of the installation process
- Reduces thermal bridging by preventing the bracket from transferring heat out of the building (assists with Approved Document Part L & Section 6 (Scotland) compliance)
- UKAS accredited thermal conductivity values
- Hygrothermal Performance meets ETAG 004 2013
- Meets sections 11 & 12 of CWCT standards
- LABC Product type and Premier Guarantee Approval
- Mechanical Testing

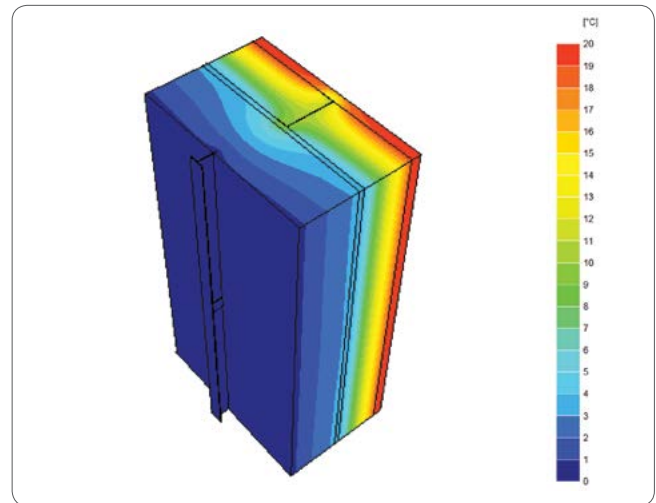


Thermal graphs

Example thermal impact of the CHI-GASKET



Thermal image **with** CHI-GASKET



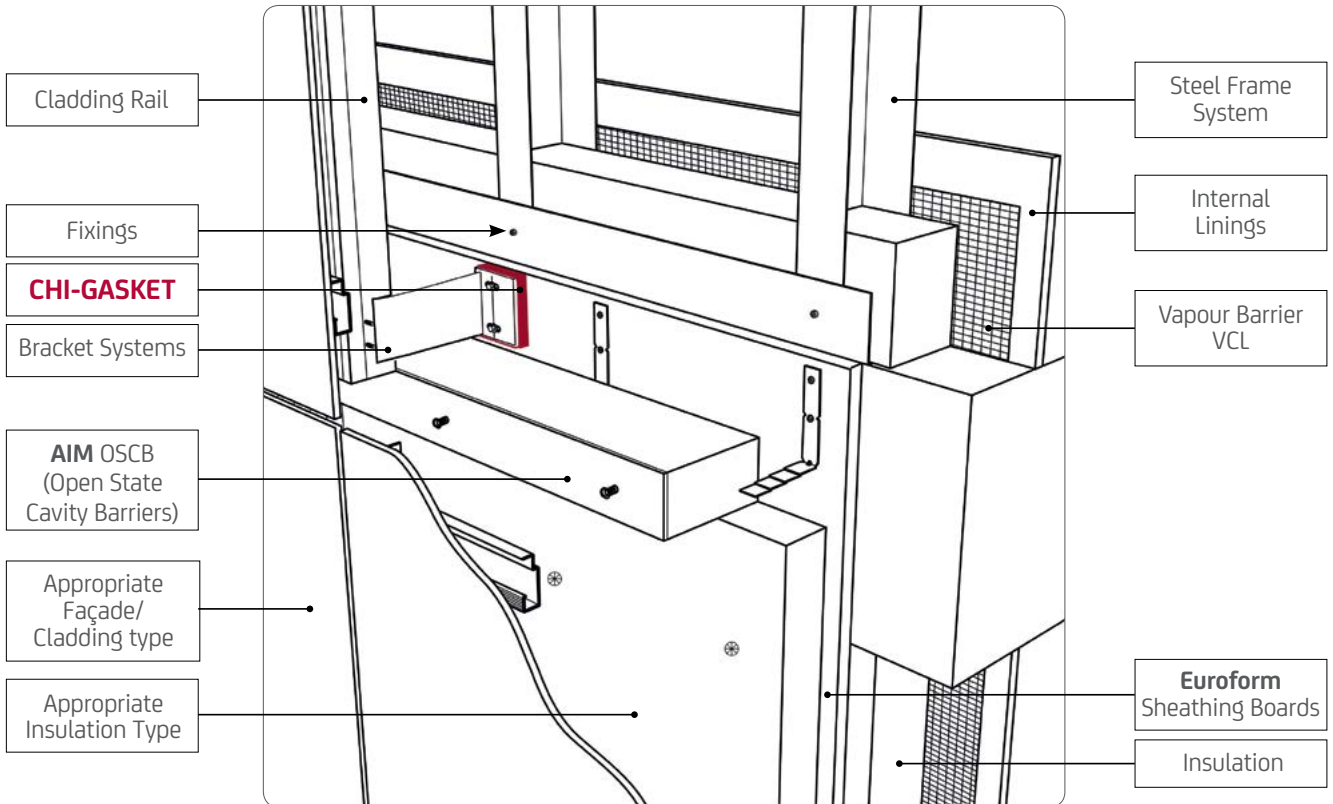
Thermal image **without** CHI-GASKET

DISCLAIMER:

The full system specification of the render, cladding and/or rainscreen should be approved by an appropriately qualified consultant to confirm the suitability of the components in the system in relation to the required building design performance.

Rainscreen Systems

A holistic approach to through-wall design.



Alongside the CHI-GASKET, SIG Performance Technology can supply a range of associated products



AIM OSCB (Open State Cavity Barrier)

OSCB's are a polythene sleeved ROCKWOOL® stone wool and intumescent material designed for use within open state cavities, allowing ventilation and drainage of the cavity under service conditions while providing up to 120 minutes insulation and integrity.

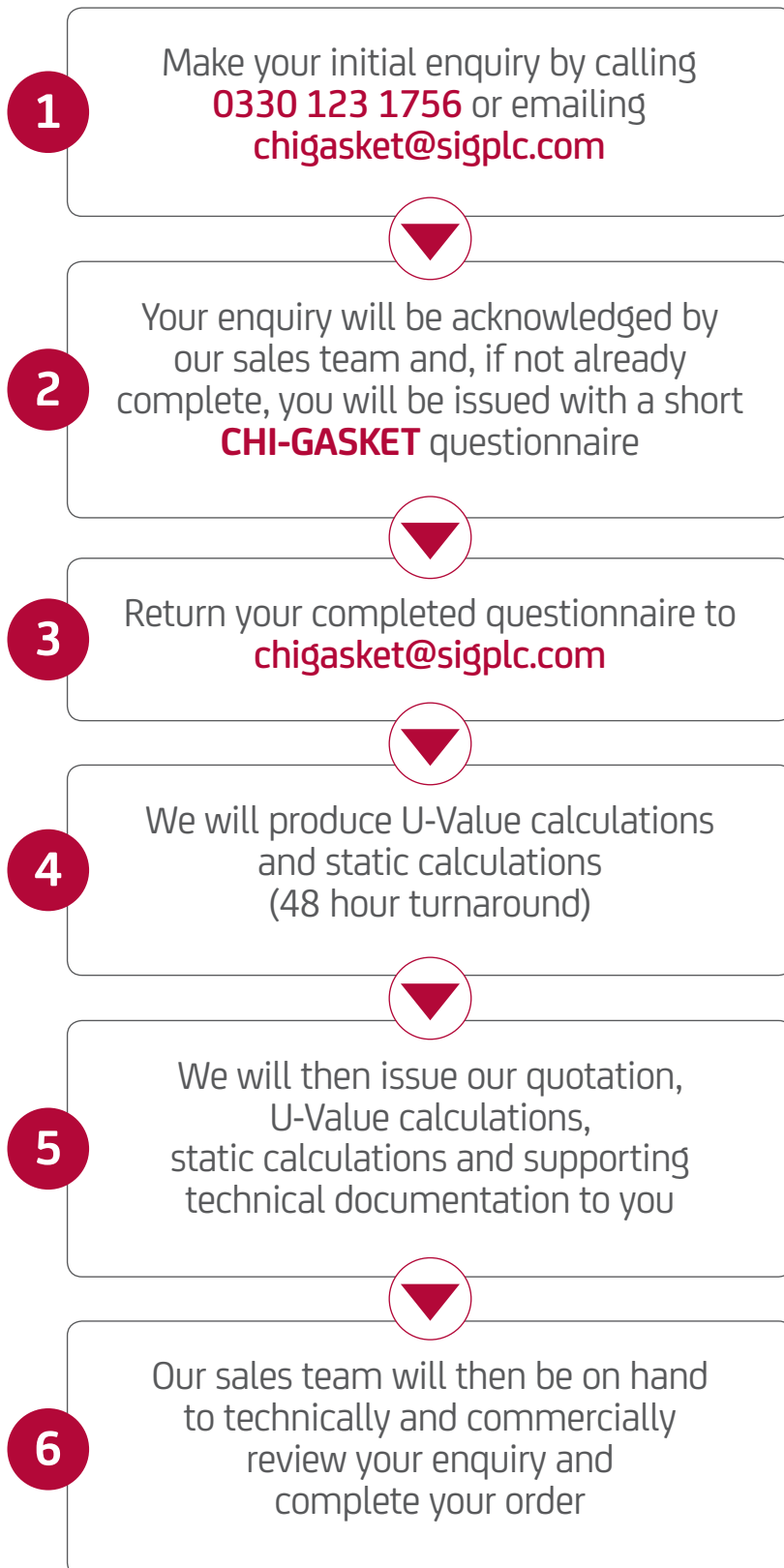
- Manufactured to suit the overall cavity width
- Simplistic installation process
- Tested in accordance with ASFP Technical Guidance Document 19 (TGD 19) & to the general principles of BS EN 1363-1

Versaliner - Now BDA Accredited

A non-combustible sheathing board for steel and timber frame applications

- Impact resistant
- Reaction to A1 Fire performance according to EN 13501-1
- Excellent racking resistance
- Easy 'Score and Snap' workability

Using the **CHI-GASKET** on your rainscreen project could not be easier



For further information
please contact our technical/sales team

0330 123 1756

chigasket@sigplc.com

www.sigpt.co.uk/chigasket

Due to our policy of continuous development, we reserve the right to change design and specifications without prior notice. Although every care is taken to ensure accuracy, this brochure is a general guide produced for promotion purposes and all illustrations, examples and photographs are for reference only. Specific technical advice should be taken before proceeding with any transaction. SIG Performance Technology does not accept responsibility for any loss as a result of any company or person relying on material in this publication, or for any mistakes or misprints. Specific fact sheets and technical information are available from SIG Performance Technology technical team on department on 0330 123 1756. Reproduction of any part of this publication in any manner is not permitted without prior consent from SIG plc.

